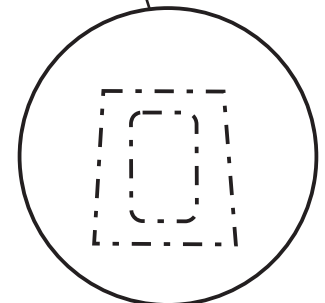
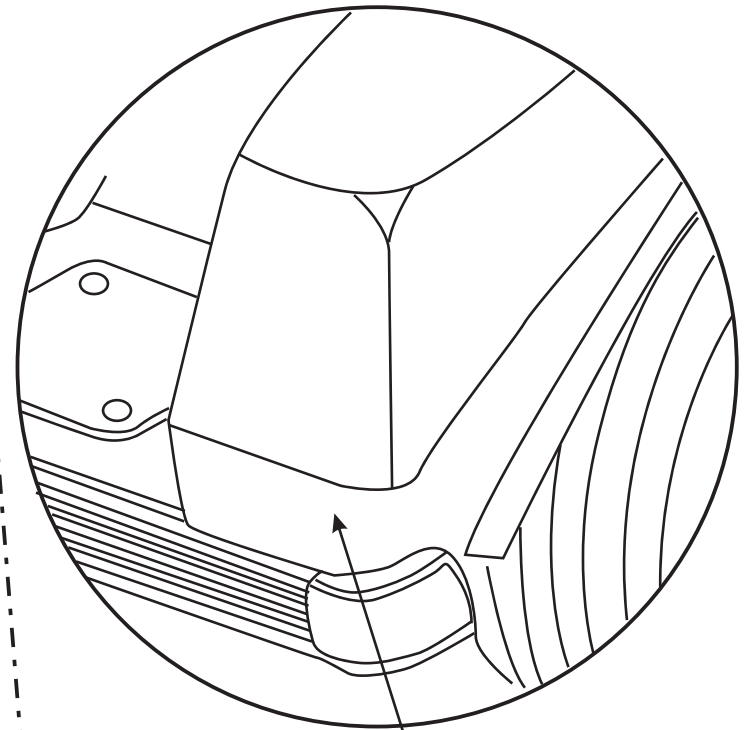
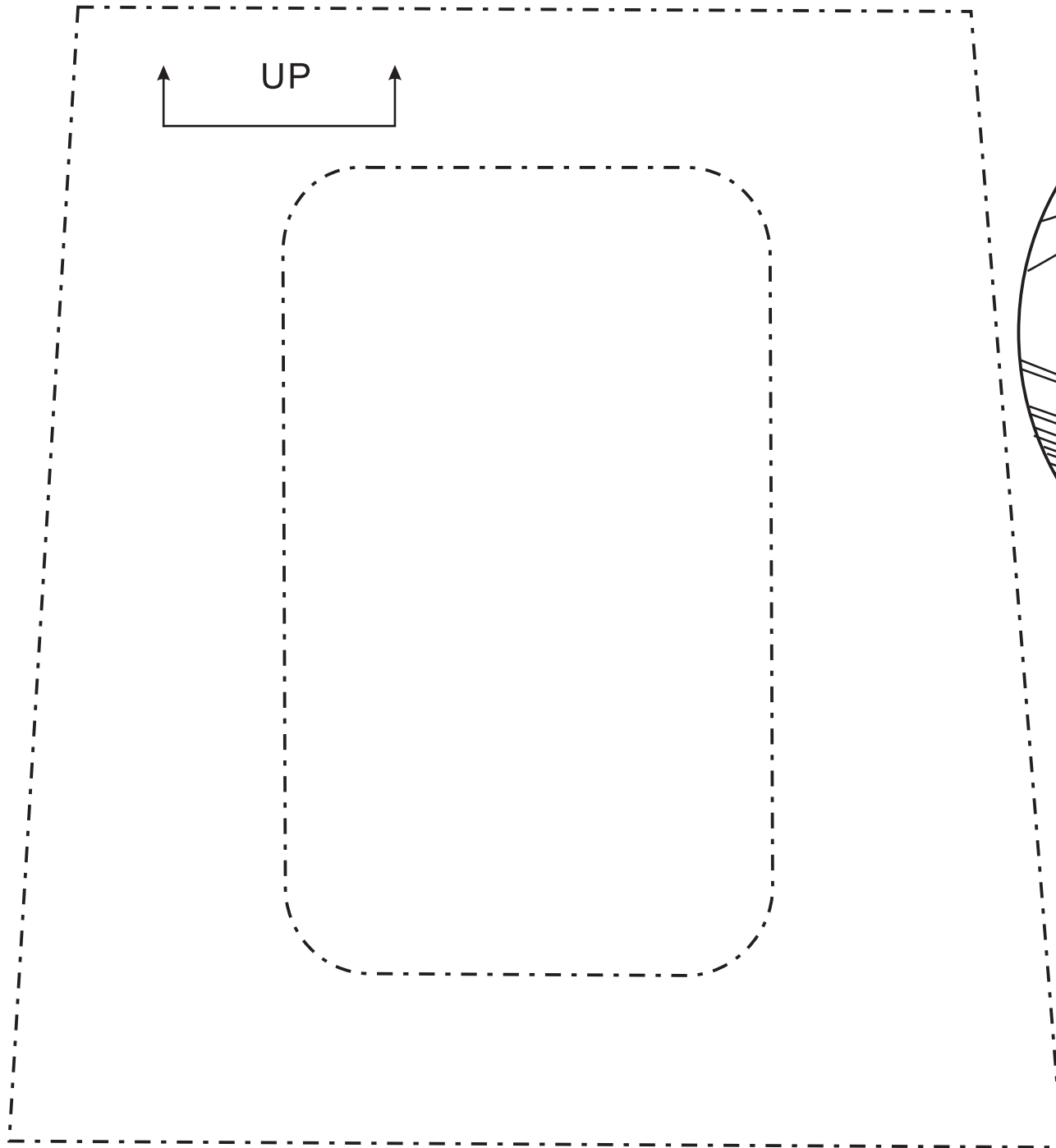


Ver1.0



Center template horizontally
with bottom edge of mold line

DS Rear Tailight Templaee
Place template on rear body as indicated in drawing
Tape in place and follow instructions from manual