



A Textron Company

SHOPEZGO.COM

The Official Online Store For E-Z-GO Genuine Parts & Accessories

INSTALLATION INSTRUCTIONS

TITLE **TXT BODY RIVET KIT INSTALLATION**

DRAWING NO. **614127**

REV -

NOTICE

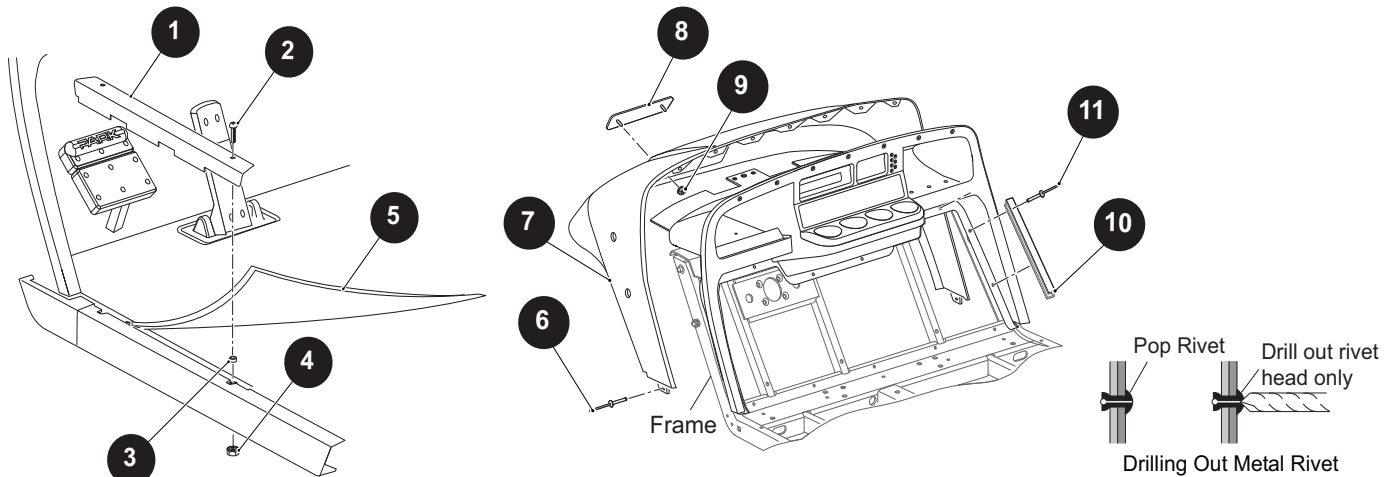
Read all of the following safety and service instructions before attempting installation. Wear safety glasses during installation.

Tool List	Qty.	Tool List	Qty.
Socket, 25/64"	1	Ratchet.....	1
Drill and Drill Bit	1	Torque Wrench In. lbs	1
Heavy Duty Pop Rivet Gun.....	1		

INSTALLATION INSTRUCTIONS



1. Park the vehicle on level ground.
2. Turn key to the "OFF" position and remove it from the switch. Make sure the parking brake is set.
3. Raise and remove the seat bottom and toggle the RUN / TOW switch to "TOW" position if equipped. Remove the negative cable from the battery.
4. Remove the Rocker Panel (1) by removing the screws (2), washers (3) and nuts (4). Retain them for installation later.
5. Lift and remove the floor mat (5). Retain for installation later.
6. Remove the rivets (6) securing the Cowl (7) to frame, drill into the head of the rivet with a sharp drill bit that is slightly larger than the shank of the rivet. Care must be taken when drilling to prevent the drill from being forced into the body and opening the hole to a larger size or even damaging components behind the panel. The best way to prevent damage is to use a sharp drill bit that requires very little pressure to cut successfully and to place a piece of protective sheet metal between the surface being drilled and components directly behind it.



7. Secure the cowl to frame with new rivets (6).
8. Remove the name plate (8) by removing the nuts (9). Discard the old nuts (9). Install back the name plate and secure it with new nuts (9) to 8 - 10 In. lbs (0.9 - 1.1 Nm).
9. Remove the vinyl trims (10) by removing the 4 rivets (11). Remove the other 7 rivets (11) securing Instrument panel to frame. Follow instructions in step 6 to remove the rivets. Secure the instrument panel to frame with new rivets and the vinyl trims (10) to the instrument panel assembly.



A Textron Company

SHOPEZGO.COM

The Official Online Store For E-Z-GO Genuine Parts & Accessories

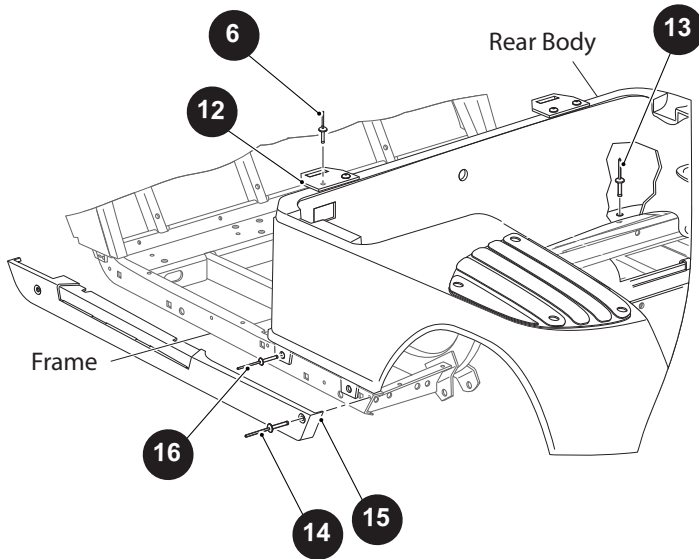
INSTALLATION INSTRUCTIONS

TITLE **TXT BODY RIVET KIT INSTALLATION**

DRAWING NO. **614127**

REV -

10. Remove the seat hinge plate (12) by removing the 4 rivets (6). Follow instructions in step 6 to remove the rivets.



TXT BODY RIVET KIT CONTAINS FOLLOWING PARTS

Description	Qty used in Car	Qty in Kit
1. Rivet - Item (6)	6	6
2. Rivet - Item (11)	11	11
3. Nut - Item (9)	2	2
4. Rivet - Item (13)	5	6 (1 extra)
5. Rivet - Item (14)	4	4
6. Rivet - Item (16)	4	4

- 11. Install and secure the seat hinge plate (12) with new rivets (6).
- 12. Remove the 5 numbers of rivets (13) following the instructions in step 6 which secures rear body to frame. Secure rear body to frame with new rivets (13).
- 13. Remove the rocker panel (15) by removing rivets (14). Follow instructions in step 6 to remove the rivets. Discard the old rivets (14) and retain the rocker panel for installation later.
- 14. Remove the rivets (16) securing the rear body to frame. Follow instructions in step 6 to remove the rivets. Secure rear body to frame with new rivets (16).
- 15. Secure the rocker panel (15) to frame with new rivets (14).
- 16. Installation of other parts is in reverse order of removal.
- 17. Install the battery cable, toggle back the "RUN / TOW-MAINTENANCE" switch back to "RUN" and install the seat bottom back to the vehicle.