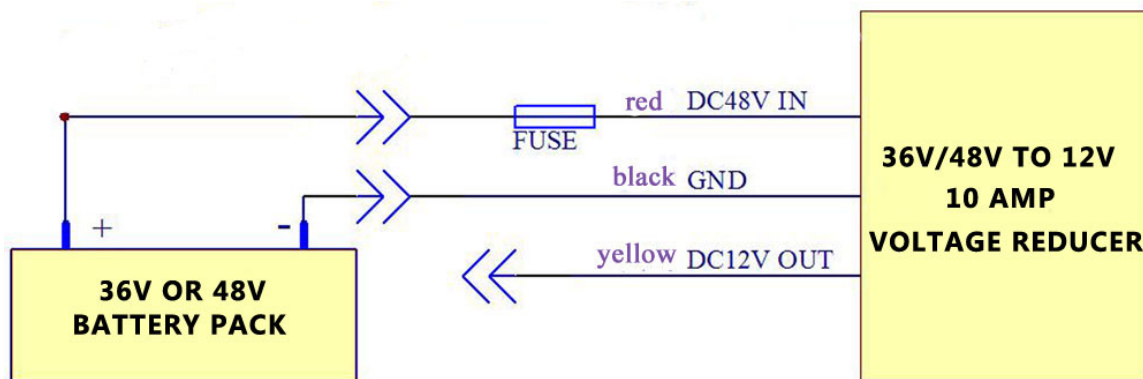


If your golf cart has a Run/Tow switch (typically under the seat) turn it to Tow before performing any work.

- Connect the Red Wire to the positive side of the battery pack
- Connect the Yellow Wire to the Positive on your 12 Volt accessory
- Connect the Black Wire to the negative side of the battery pack and to the negative side of the 12 Volt accessory



** TrendSaver, LLC also referred to as Performance Plus Carts assumes no responsibility if any damage occurs due to improper installation.