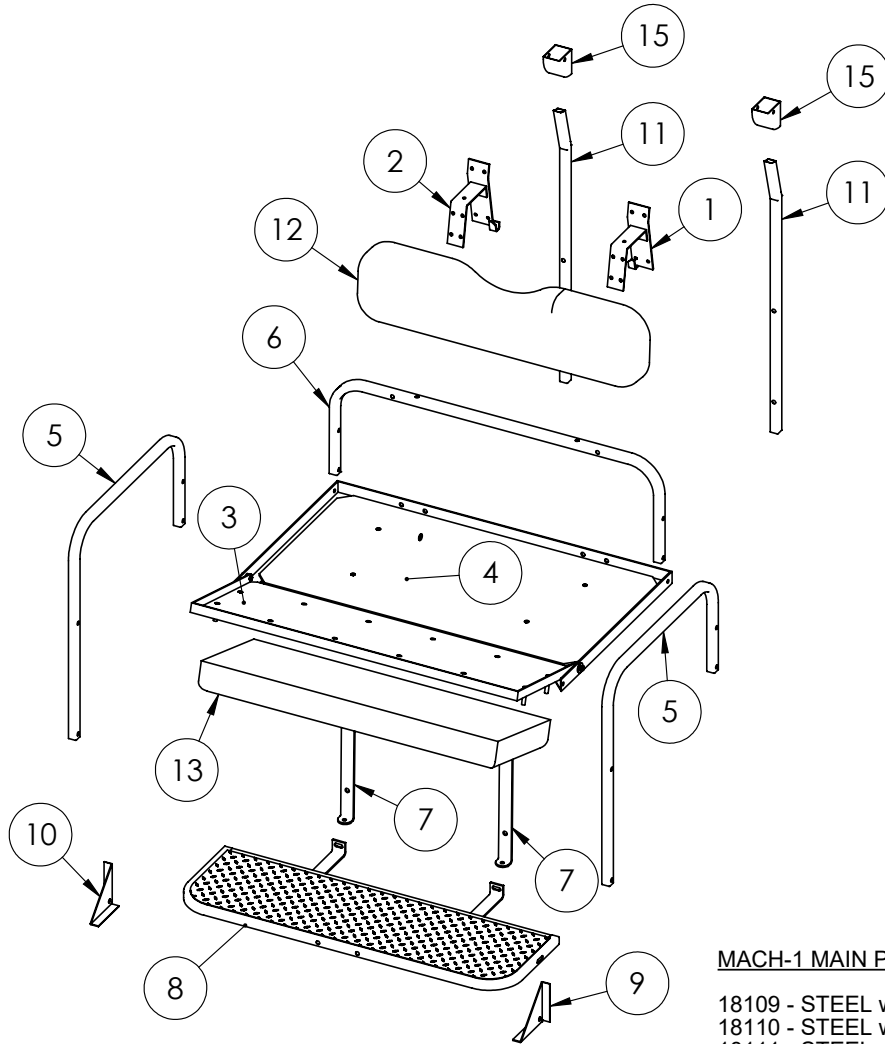


GTW MACH-1 (STEEL) REAR FLIP SEAT FOR CLUB CAR PRECEDENT

WARRANTY PARTS EXPLODED VIEW DIAGRAM



MACH-1 MAIN PART NUMBERS:

18109 - STEEL w/ BUFF CUSHIONS
 18110 - STEEL w/ WHITE CUSHIONS
 18111 - STEEL w/ BLACK CUSHIONS

ITEM NO.	PART NO.	DESCRIPTION	QTY
1	W01-1-24	Lean Back Bracket (Pass)	1
2	W01-1-23	Lean Back Bracket (Driver)	1
3	W01-8-22	Flip Frame w/ Poly Board	1
4	W01-8-21	Main Frame w/ Poly Board	1
5	W01-1-21	Arm Rest Brackets	2
6	W01-8-23	Horizontal Frame Bracket	1
7	W01-1-22	Bagwell Brackets	2
8	W01-1-20	Foot Plate	1
9	W01-8-25	Foot Plate Bracket (Pass)	1
10	W01-8-24	Foot Plate Bracket (Driver)	1

ITEM NO.	PART NO.	DESCRIPTION	QTY
11	W01-1-26	Rear Struts	2
12	W01-1-28	Lean Back Cushion (Buff)	1
	W01-1-30	Lean Back Cushion (White)	1
	W01-1-32	Lean Back Cushion (Black)	1
13	W01-1-29	Seat Bottom Cushion (Buff)	1
	W01-1-31	Seat Bottom Cushion (White)	1
	W01-1-33	Seat Bottom Cushion (Black)	1
14	W01-1-25	Hardware Pack	1
15	W01-1-27	Rear Strut Gutters	2

Date Revised: 6/21/16 (Changed Description from Beige to Buff)